

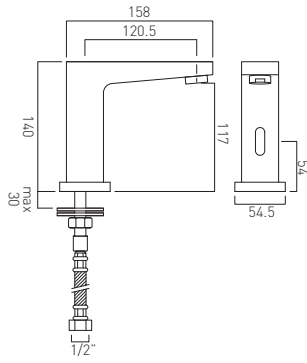


everything  
water & energy

# SENSOR TAPS

2024

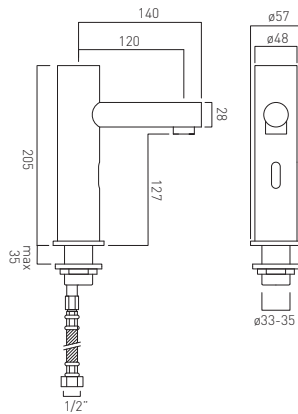




Life  
 infra-red mono basin tap  
 deck mounted  
 with rub clean aerator  
 mains or battery operated  
 takes standard AA batteries  
 central processing unit: IR-100/CONTROL  
 minimum operating pressure 1.0 bar MP

chrome  
 IR-100/LIF-C/P

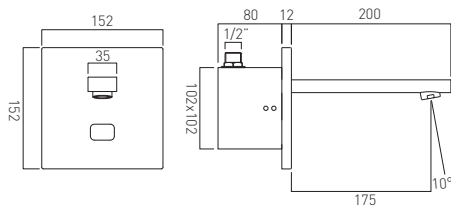
**H<sub>2</sub>ECCO®**  
 FR-100/5-PLA



Zoo  
 infra-red mono basin tap  
 deck mounted  
 with rub clean aerator  
 mains or battery operated  
 takes standard AA batteries  
 central processing unit: IR-100/CONTROL  
 minimum operating pressure 1.0 bar MP

chrome  
 IR-100/ZOO-C/P

**H<sub>2</sub>ECCO®**  
 FR-100/5-PLA



Notion  
 infra-red basin tap  
 wall mounted  
 with rub clean aerator  
 with square backplate  
 mains or battery operated  
 takes standard AA batteries  
 central processing unit: IR-109/CONTROL  
 minimum operating pressure 1.0 bar MP

chrome  
 IR-109/NOT-C/P

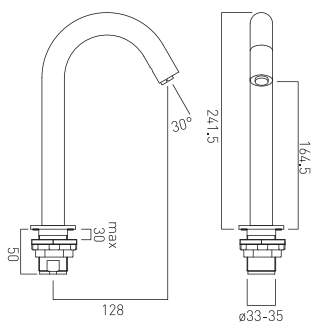
**H<sub>2</sub>ECCO®**  
 FR-100/5-PLA



I-Tech



**INDIVIDUAL**  
by VADO



infra-red spout  
deck mounted  
mains or battery operated  
takes standard AA batteries  
minimum operating pressure 1.0 bar MP

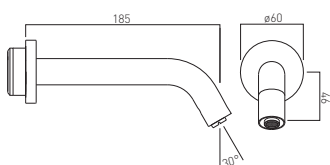


chrome  
IR-DSPOUT-C/P

**H2ECO**<sup>®</sup>  
4 l/m flow regulator fitted as standard



**INDIVIDUAL**  
by VADO

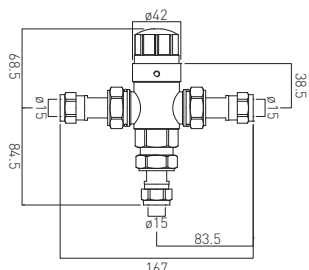


infra-red spout  
wall mounted  
with round shroud  
mains or battery operated  
takes standard AA batteries  
minimum operating pressure 1.0 bar MP



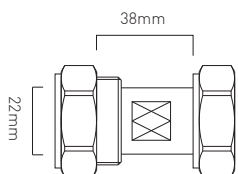
chrome  
IR-WSPOUT-C/P

**H2ECO**<sup>®</sup>  
4 l/m flow regulator fitted as standard



protherm in-line thermostatic valve  
supplied with 15mm compression fittings  
22mm compression fittings available separately  
thermostatic ceramic cartridge  
minimum operating pressure 0.2 bar LP

nickel / white  
PRO-5001-N/P



22mm compression fittings  
for use with protherm in-line thermostatic valve

chrome  
PRO-5001/C-22MM